



Excavator SWE 20B



| | |
|--------------------------|---------------------|
| Operating Weight | 1.94t(rubber track) |
| Engine Power | 13.3kW/2200rpm |
| Engine Brand | YANMAR |
| Standard Bucket Capacity | 0.04m ³ |
| Max. Digging Depth | 2.38m |

Excavator SWE 20B

Parameter

ENGINE

| | |
|--------------|--|
| Brand | YANMAR |
| Model | 3TNV76-SSU |
| Type | 3-cylinder water-cooled indirect injection |
| Displacement | 1.116L |
| Power | 13.3kW/2200rpm |

DIMENSIONS

| | |
|-------------------------|--------|
| Counterweight Clearance | 482mm |
| Tail Swing Radius | 1120mm |
| Shipping Length | 3820mm |
| Shipping Width | 990mm |
| Shipping Height | 2370mm |

ELECTRIC SYSTEM

| | |
|-----------------|-----------|
| Nominal Voltage | 12V |
| Batteries | 63Ah |
| Alternator | 12V-40A |
| Starter | 12V-1.4kW |

WORKING RANGES

| | |
|----------------------------------|--------|
| Max. Cutting Height | 3770mm |
| Max. Loading Height | 2720mm |
| Max. Digging Depth | 2380mm |
| Max. Vertical Wall Digging Depth | 1870mm |
| Max. Digging Reach | 4040mm |
| Max. Reach at Ground Level | 3945mm |
| Bucket Digging Force | 22.7kN |
| Stick Digging Force | 9.9kN |
| Ground Pressure | 30kPa |
| Swing Speed | 10rpm |

DRIVE

| | |
|-----------------------------|-------------|
| Max. Travel Speed (2nd/1st) | 3.5/2.0km/h |
| Gradeability | 30° |
| Max. Traction | 16.7kN |

UNDERCARRIAGE

| | |
|-----------------------------|------------|
| Undercarriage Width | 990/1360mm |
| Shoe Width | 230mm |
| Length to Center of Rollers | 1210mm |
| Track Length | 1555mm |
| Track Height | 385mm |

CAPACITY

| | |
|--------------------|-----|
| Fuel Tank | 23L |
| Hydraulic Oil Tank | 35L |

BULLDOZING BOARD

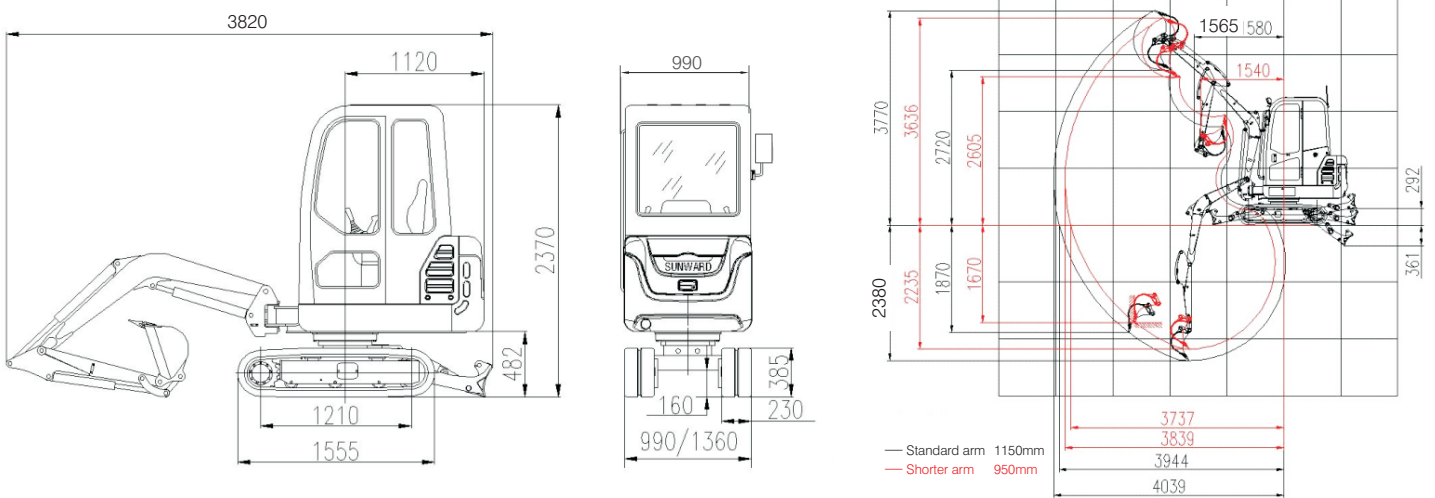
| | |
|--|------------|
| independent moving, controlled by the gear shift lever | |
| Length X Width | 1360x267mm |
| Max. Lifting Height | 295mm |
| Max. Cutting Depth | 360mm |

HYDRAULIC SYSTEM

| | |
|------------------|--|
| Main Pumps | |
| Type | 2 variable displacement pumps, 1 gear pump |
| Displacement | 2x21 + 15 L/min |
| Working Pressure | 22.5/18 MPa |

Excavator SWE 20B

Working Ranges



Load Capacity (standard arm: 1.15m)

| A(m) \ B(m) | MAX | | 3.0m | | 2.5m | | 2.0m | |
|-------------|-----------|----------|-----------|----------|-----------|-----------|-----------|-----------|
| | Front(kg) | Side(kg) | Front(kg) | Side(kg) | Front(kg) | Sides(kg) | Front(kg) | Sides(kg) |
| 2.5 | 260.00 | 220.00 | — | — | 220.00 | 220.00 | — | — |
| 2.0 | 260.00 | 180.00 | 250.00 | 210.00 | 240.00 | 240.00 | — | — |
| 1.0 | 280.00 | 150.00 | 310.00 | 200.00 | 360.00 | 270.00 | 470.00 | 380.00 |
| 0.0 | 300.00 | 160.00 | 360.00 | 190.00 | 470.00 | 250.00 | 670.00 | 350.00 |
| -0.5 | 320.00 | 170.00 | 360.00 | 190.00 | 480.00 | 250.00 | 670.00 | 340.00 |
| -1.0 | 330.00 | 200.00 | — | — | 440.00 | 250.00 | 620.00 | 340.00 |

Notes:

- 1) Load with * is limited by hydraulic capacity and based on ISO 10567. Rated loads do not exceed 87% of hydraulic capacity.
- 2) Load without * is limited by tipping load and based on ISO 10567. Rated loads do not exceed 75% of tipping load.

■ SUNWARD INTELLIGENT EQUIPMENT CO.,LTD.

Add: Sunward Intelligent Industrial Park, Xingsha, Changsha, 410100, China.

Tel: (0086-731) 83572 828 Fax: (0086-731) 83572 661

E-mail: international@sunward.com.cn

Web: www.sunward.com.cn

■ SUNWARD EUROPE HEAVY INDUSTRY NV

Add: Nijverheidspark 3, 3580 Beringen, Belgium

Tel: (0032-011) 434666

E-mail: eu@sunward.cc

